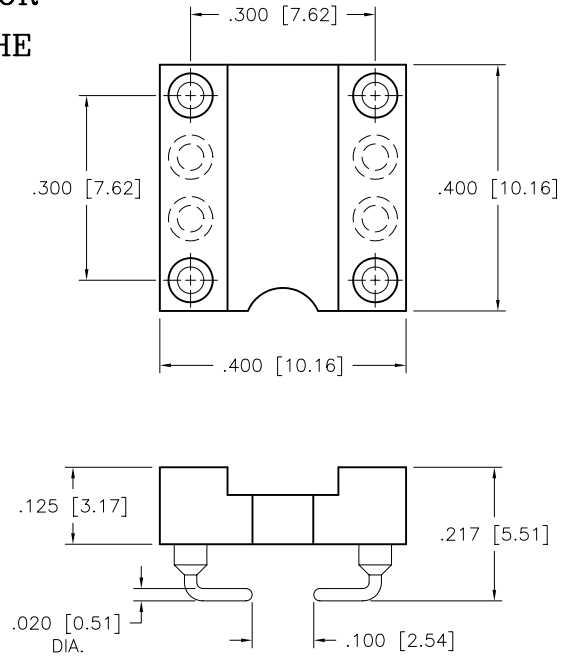
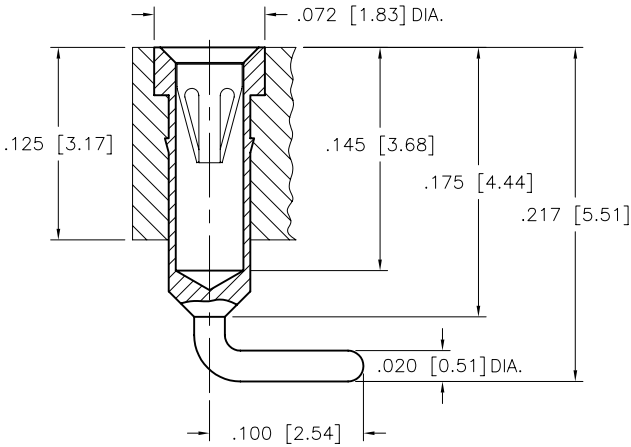
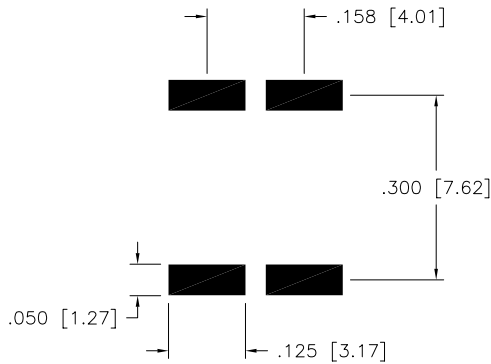


REPLACEMENT SOCKET FOR SMD OSCILLATOR
TO REPLACE WITH LEADED DEVICES ON THE
SAME FOOTPRINT

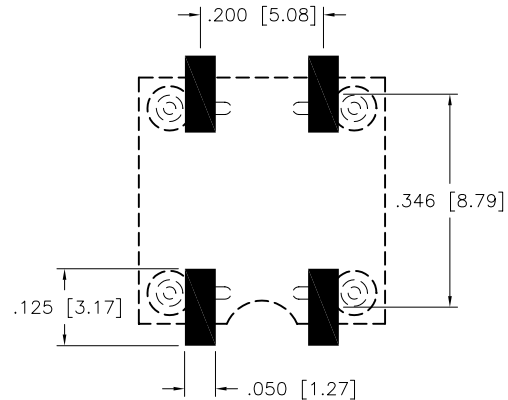


4 PIN
REPLACEMENT SOCKET

STANDARD P.C.B.
FOOTPRINT



REPLACEMENT P.C.B.
FOOTPRINT



TECHNICAL SPECIFICATIONS

MATERIAL INSULATOR	HIGH TEMP. GREY NYLON 46 UL 94V-0 LISTED
TERMINAL CONTACT	BRASS PER ASTM-B16 BeCu PER ASTM-B194
OPERATING TEMP.	-65° TO 150°
CONTACT FORCES	
INSERTION	STANDARD 9 oz. AVG.
WITHDRAWAL	STANDARD 2 oz. MIN.

ORDERING INFORMATION

221-084-232S-PXX-Y10

SERIES	PLATING: TERMINAL / CONTACT
WAFER SIZE	P30: GOLD / GOLD
NUMBER OF PINS LOADED	P31: TIN-LEAD / GOLD
TERMINAL ASSEMBLY	P32: TIN-LEAD / TIN
	OTHER PLATINGS AVAILABLE SEE OPTIONAL PLATINGS