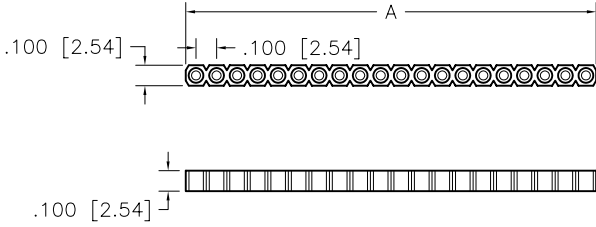
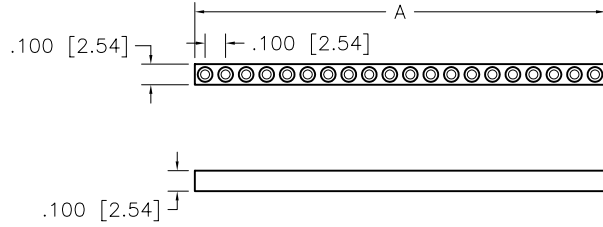


SERIES 305
SNAP
BREAKABLE INSULATOR

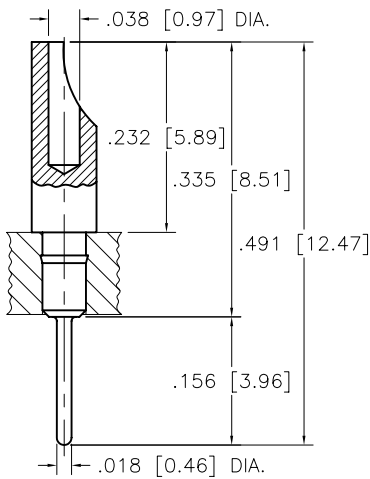


SERIES 306
SOLID
SOLID INSULATOR

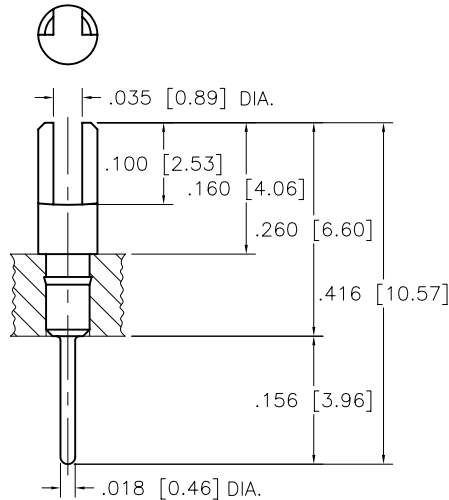


PIN	DIM "A"	
2	.200 [5.08]	002
3	.300 [7.62]	003
4	.400 [10.16]	004
5	.500 [12.70]	005
6	.600 [15.24]	006
7	.700 [17.78]	007
8	.800 [20.32]	008
9	.900 [22.86]	009
10	1.000 [25.40]	010
11	1.100 [27.94]	011
12	1.200 [30.48]	012
13	1.300 [33.02]	013
14	1.400 [35.56]	014
15	1.500 [38.10]	015
16	1.600 [40.64]	016

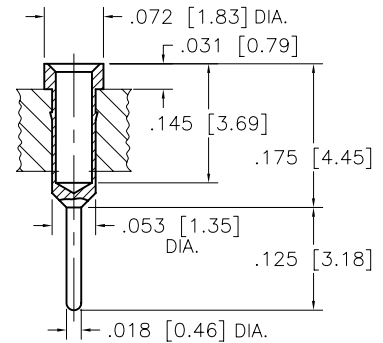
PIN	DIM "A"	
17	1.700 [43.18]	017
18	1.800 [45.72]	018
19	1.900 [48.26]	019
20	2.000 [50.80]	020
21	2.100 [53.34]	021
22	2.200 [55.88]	022
23	2.300 [58.42]	023
24	2.400 [60.96]	024
25	2.500 [63.50]	025
26	2.600 [66.04]	026
27	2.700 [68.58]	027
28	2.800 [71.12]	028
29	2.900 [73.66]	029
30	3.000 [76.20]	030
31	3.100 [78.74]	031
32	3.200 [81.28]	032



-05



-06



-07
HOLLOW
PHOSPHOR BRONZE

TECHNICAL SPECIFICATIONS

MATERIAL INSULATOR

GLASS FILLED POLYESTER

TERMINAL OPERATING TEMP.

UL 94V-0 LISTED
BRASS PER ASTM-B16
-65°C TO +125°C

ORDERING INFORMATION

