

INDUSTRY STANDARD POWER CONVERTER FOOTPRINTS						
INDUSTRY STANDARD POWER CONVERTER FOOTPRINTS Part Number	Andon Part Number Replace "XXX" with Terminal Type	Terminal Type		Pin Ø [in]	Figure Number	Page Number
		Thru-Hole	Surface Mount			
EIGHT BRICK	CSP2000-08-01-XXX-R32-L14	502EP55	503EP55	.040/.060	1	1
FULL BRICK	CSP4200-18-01-XXX-R32-L14	507EP72	508EP72	.040/.080	3	1
HALF BRICK	CSP1900-08-02-XXX-R32-L14	507EP72	508EP72	.040/.080	4	2
SIXTEEN BRICK	CSP1100-08-01-XXX-R32-L14	502EP55	503EP55	.040/.060	2	1
QUARTER BRICK	CSP2000-08-01-XXX-R32-L14	502EP55	503EP55	.040/.060	1	1

Heat sink socket available to reduce heat and noise. Contact Andon for details.

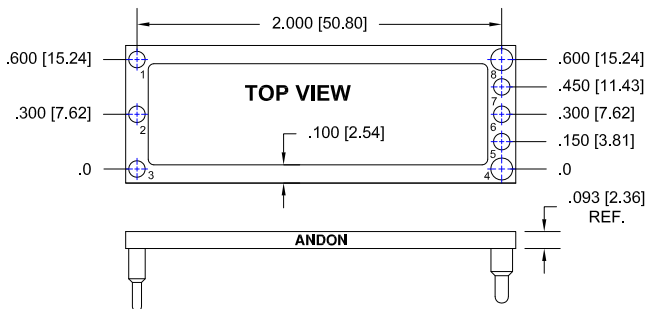


Fig. 1
Pins 1-3, 5-7 are Ø.040 [Ø1.02]
Pins 4 and 8 are Ø.062 [Ø1.57]
Thru-Hole: CSP2000-08-01-502EP55-R32-L14
Surface Mount: CSP2000-08-01-503EP55-R32-L14

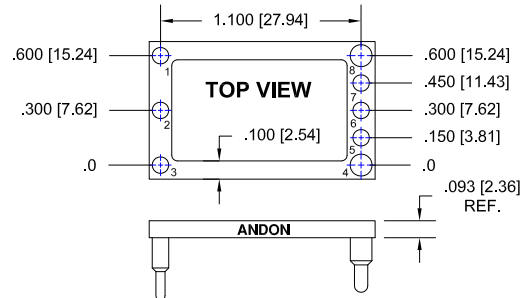


Fig. 2
Pins 1-3, 5-7 are Ø.040 [Ø1.02]
Pins 4 and 8 are Ø.062 [Ø1.57]
Thru-Hole: CSP1100-08-01-502EP55-R32-L14
Surface Mount: CSP1100-08-01-503EP55-R32-L14

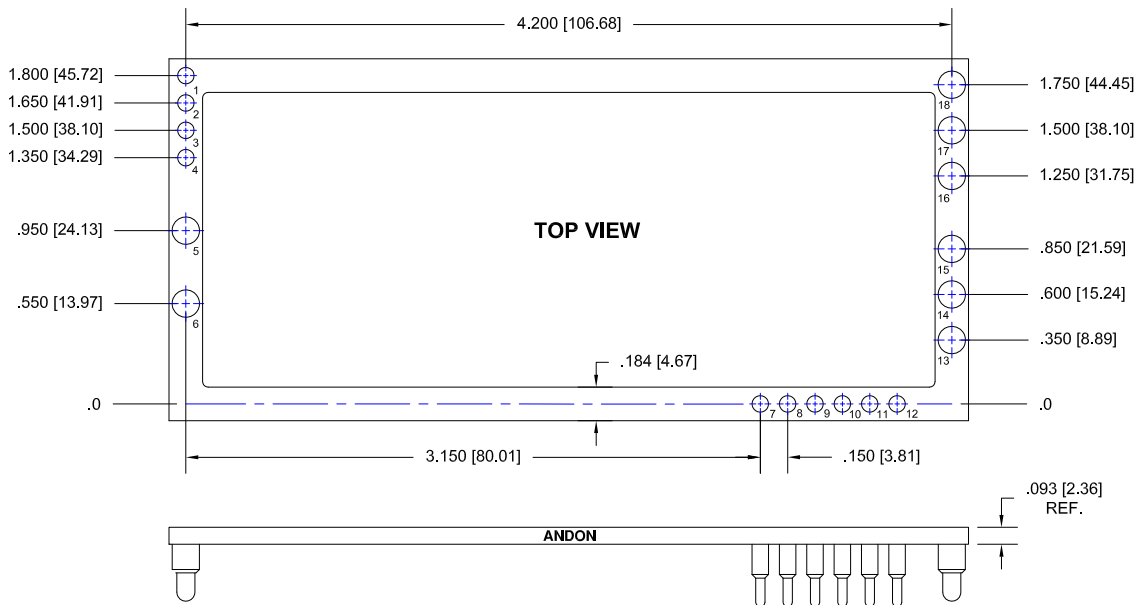


Fig. 3
Pins 1-4, 7-12 are Ø.040 [Ø1.02]
Pins 5-6, 13-18 are Ø.080 [Ø2.03]
Thru-Hole: CSP4200-18-01-507EP72-R32-L14
Surface Mount: CSP4200-18-01-508EP72-R32-L14

INDUSTRY STANDARD POWER CONVERTER FOOTPRINTS *Continued*

Top View Shown

Units: in [mm]

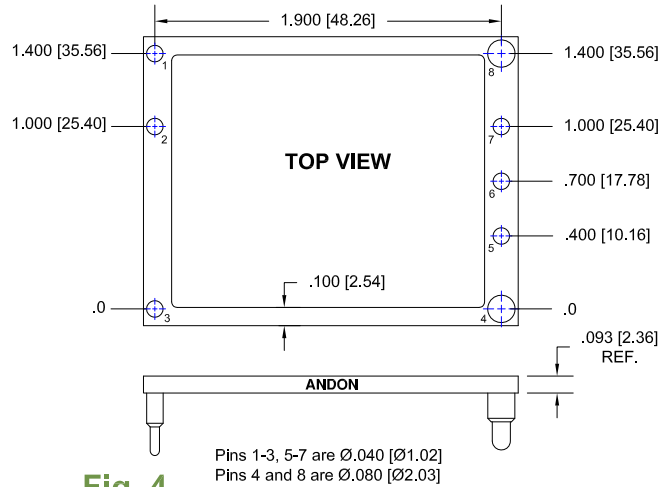


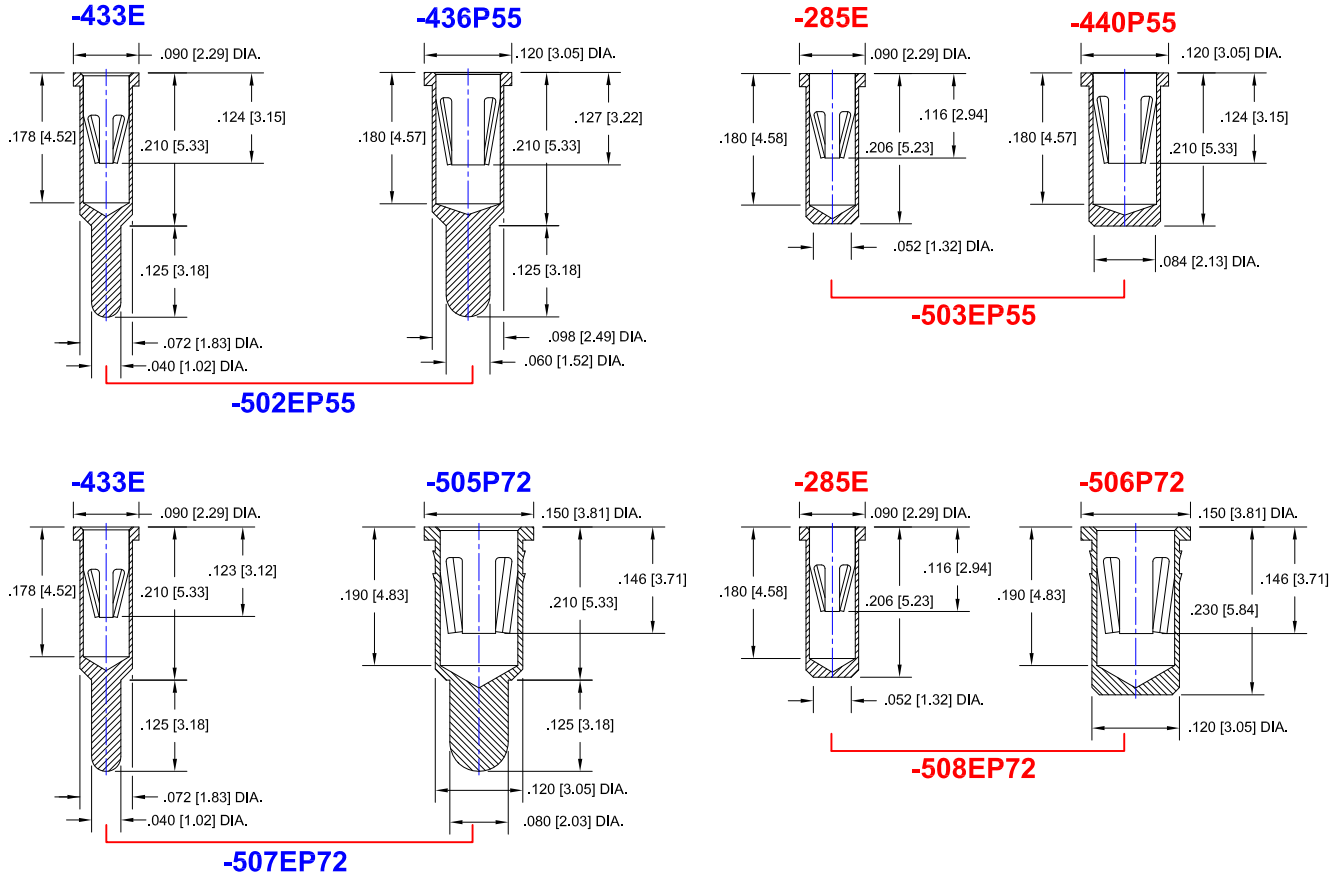
Fig. 4

Thru-Hole: CSP1900-08-02-507EP72-R32-L14
Surface Mount: CSP1900-08-02-508EP72-R32-L14

INDUSTRY STANDARD POWER CONVERTER FOOTPRINTS *Continued*

Top View Shown

Units: in [mm]



"Andon does not guarantee the suitability of their products for the buyer's intended application. Only the buyer of such products assumes the responsibility of the product application."

Technical Information

Material:

Insulator: Hi-Temp UL 94V-0
Terminal: Brass, per ASTM-B16
Contact: BeCu, Per ASTM-B194

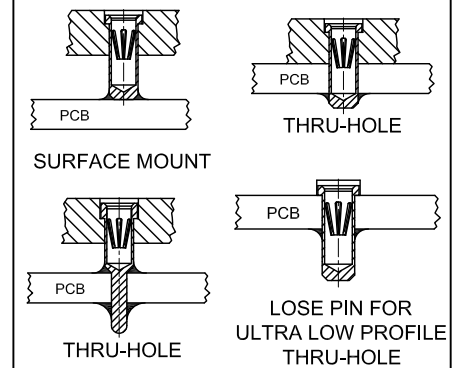
Plating: RoHS COMPLIANT

R32 TERMINAL: MATTE TIN / CONTACT: TIN
R27 TERMINAL: GOLD / CONTACT: GOLD
OTHER PLATINGS AVAILABLE

Terminal Acceptance and Forces

Thru Hole Terminals				Surface Mount Terminals			
Thru Hole Terminal	Accepts Pin Diameter	Insertion Force	Withdrawal Force	Surface Mount Terminal	Accepts Pin Diameter	Insertion Force	Withdrawal Force
-436P55	Ø.060 [Ø1.52]	15.5 oz Avg.	2.1 oz Min	-440P55	Ø.060 [Ø1.52]	15.5 oz Avg.	2.1 oz Min
-433E	Ø.040 [Ø1.02]	36.0 oz Avg.	3.9 oz Min	-285E	Ø.040 [Ø1.52]	36.0 oz Avg.	3.9 oz Min
-505EP72	Ø.080 [Ø1.02]	48.0 oz Avg.	8.0 oz Min	-506EP72	Ø.080 [Ø1.02]	48.0 oz Avg.	8.0 oz Min

MOUNTING OPTIONS



"ANDON PROPRIETARY INFORMATION"
RoHS Compliant

©Copyright 2015 Andon Electronics Corporation. All Rights Reserved. This material is protected under US and other copyrights and may not be copied, sold, or redistributed in any form without written permission of Andon Electronics Corporation. Copyrights and trademarks are property of their respective companies. We reserve the right to change specifications without notice. Andon makes no warranty, expressed or implied, as to the suitability of the sockets for the intended purpose.

*Sockets are not drawn to scale INDUSTRY STANDARD POWER CONVERTER FOOTPRINTS 9/23/2015

ANDON ELECTRONICS CORPORATION
4 Court Drive, Lincoln RI 02865, United States of America

www.andonelectronics.com or www.andonelect.com
Phone 401-333-0388 Fax 401-333-0287
Email Info@andonelect.com