

AYASE CO., LTD.						
AYASE CO., LTD. Model Number	Andon Part Number Replace "XXX" with Terminal Type	Terminal Type		Pin Ø [in]	Figure Number	Page Number
		Thru-Hole	Surface Mount			
ADL-63302TL	R079-0403-01N-XXX-R27-L14	274K	281K	.018	1	1
ADL-63054TL	R079-0403-01N-XXX-R27-L14	274K	281K	.018	1	1
ADL-63153TL	R079-0403-01N-XXX-R27-L14	274K	281K	.018	1	1
ADL-63102TL-3	R079-0403-01N-XXX-R27-L14	274K	281K	.018	1	1
ADL-63302TL	R079-0403-01N-XXX-R27-L14	274K	281K	.018	1	1
ADL-63059TU	R079-0403-01N-XXX-R27-L14	274K	281K	.018	1	1
ADX-6305STB2	R079-0403-01N-XXX-R27-L14	274K	281K	.018	1	1
ADX-6305STB5	R079-0403-01N-XXX-R27-L14	274K	281K	.018	1	1
ADL-63054SL	R050-0403-01N-XXX-R27-L14	437T	329T	.010	2	1

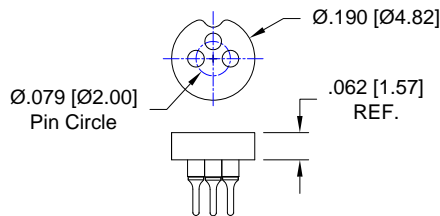


Fig. 1

Thru-Hole: R079-0403-01N-274K-R27-L14
Surface Mount: R079-0403-01N-281K-R27-L14

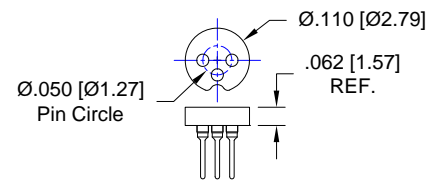
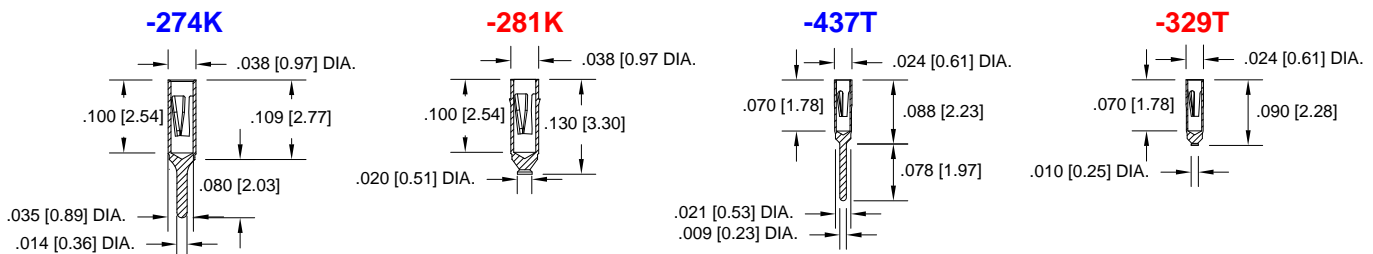


Fig. 2

Thru-Hole: R050-0403-01N-437T-R27-L14
Surface Mount: R050-0403-01N-329T-R27-L14



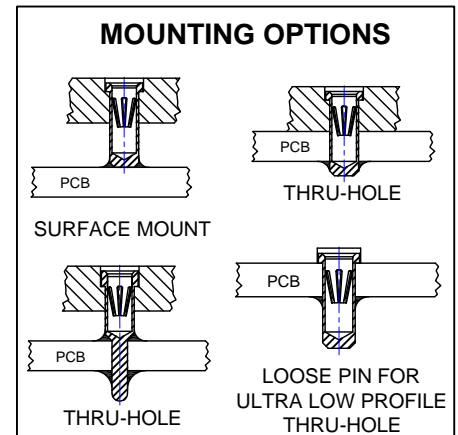
Technical Information

Material:

Insulator: Hi-Temp UL 94V-O
Terminal: Brass, per ASTM-B16
Contact: BeCu, Per ASTM-B194

Plating: RoHS COMPLIANT
R27 TERMINAL: GOLD / CONTACT: GOLD
R17 TERMINAL: TIN / CONTACT: GOLD
OTHER PLATINGS AVAILABLE

Terminal Acceptance and Forces							
Thru Hole Terminals				Surface Mount Terminals			
Thru Hole Terminal	Accepts Pin Diameter	Insertion Force	Withdrawal Force	Surface Mount Terminal	Accepts Pin Diameter	Insertion Force	Withdrawal Force
-274K	Ø.018 [Ø0.46]	1.0 oz Avg.	0.5 oz Min	-281K	Ø.018 [Ø0.46]	1.0 oz Avg.	0.5 oz Min
-437T	Ø.010 [Ø0.25]	1.0 oz Avg.	0.3 oz Min	-329T	Ø.010 [Ø0.25]	1.0 oz Avg.	0.3 oz Min



"ANDON PROPRIETARY INFORMATION"
RoHS Compliant

©Copyright 2015 Andon Electronics Corporation. All Rights Reserved. This material is protected under US and other copyrights and may not be copied, sold, or redistributed in any form without written permission of Andon Electronics Corporation. Copyrights and trademarks are property of their respective companies. We reserve the right to change specifications without notice. Andon makes no warranty, expressed or implied, as to the suitability of the sockets for the intended purpose.

*Sockets are not drawn to scale AYASE CO., LTD. 1/6/2015