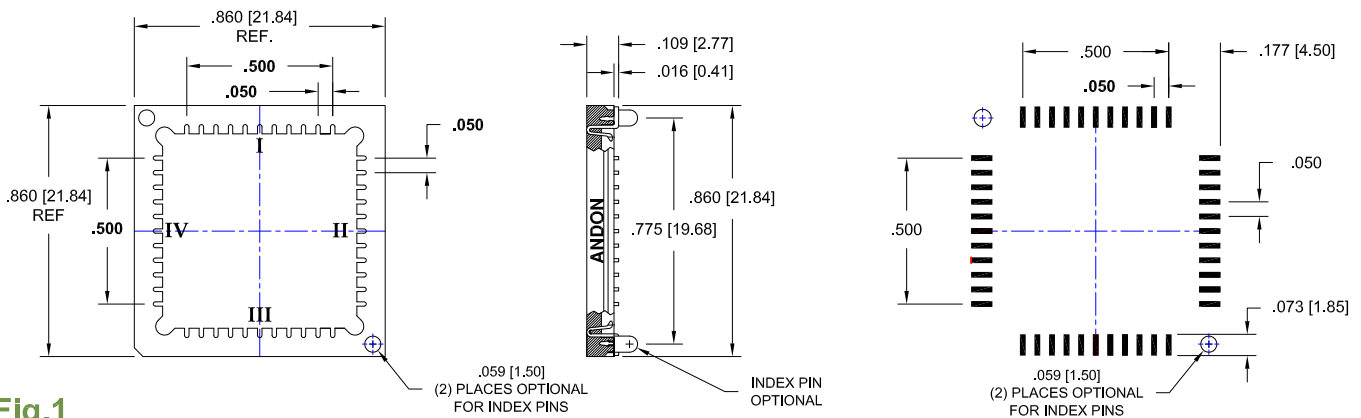


CHUNGHWA TELECOM LABORATORIES						
CHUNGHWA TELECOM LABORATORIES Model Number	Andon Part Number Replace "XXX" with Terminal Type	Terminal Type		Pin Ø [in]	Figure Number	Page Number
		Thru-Hole	Surface Mount			
FPA-320X256-C	620-44-SM-G10-L14-X	-	-	-	1	1
FPA-320X256-K-2.2-TE2	IS229-828-12-01-XXX-R29-L14	88S	93S	.018	4	2
FPA-320X256-K-2.2-TE1	IS229-828-12-01-XXX-R29-L14	88S	93S	.018	4	2
FPA-320-X256-K	IS229-828-12-01-XXX-R29-L14	88S	93S	.018	4	2
FPA-640-512	IS229-828-12-01-XXX-R29-L14	88S	93S	.018	4	2
FPA-640X512-TE2	IS229-828-12-01-XXX-R29-L14	88S	93S	.018	4	2
LAPD-2000(S)-C	620-08A-SM-G10-L14-X	-	-	-	2	1
LAPD-1000(S)	R100-0403-04N-XXX-R27-L14	75S	265S	.018	6	2
LAPD-2000(S)	R200-0403-06T-XXX-R27-L14	75S	265S	.018	5	2
LAPD-3000	R200-0403-06T-XXX-R27-L14	75S	265S	.018	5	2
KD-VA8307	605-04A-SM-G10-L14-X	-	-	-	3	2

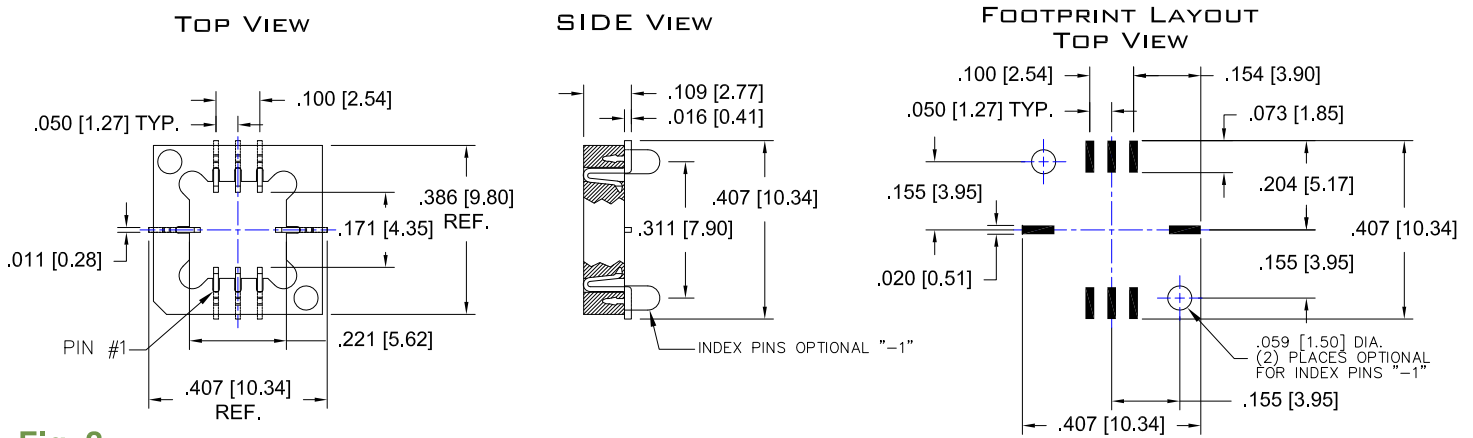
Heat sink socket available to reduce heat and noise. Contact Andon for details.



**Fig. 1**

**Surface Mount: 620-44-SM-G10-L14-X**

WITHOUT INDEX PINS = -0  
WITH INDEX PINS = -1



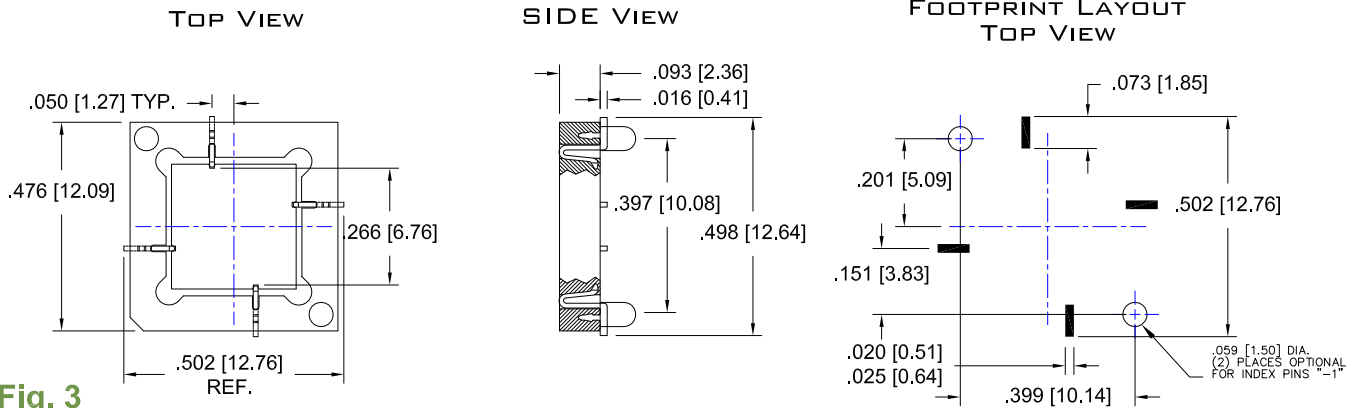
**Fig. 2**

**Surface Mount: 620-08A-SM-G10-L14-X**

WITHOUT INDEX PINS = -0  
WITH INDEX PINS = -1

**CHUNGHWA TELECOM LABORATORIES** *Continued*

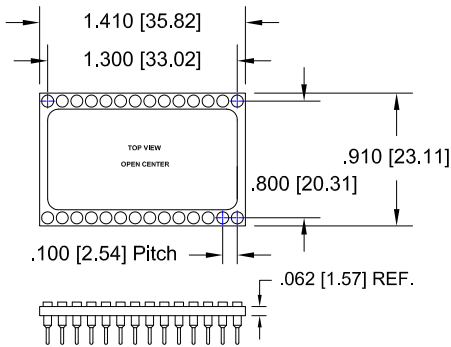
**Socket Terminal Details**  
*Cross Section View Shown Units: in [mm]*



**Fig. 3**

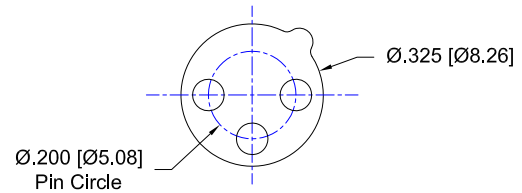
**Surface Mount: 605-04A-SM-G10-L14-X**

WITHOUT INDEX PINS = -0  
WITH INDEX PINS = -1



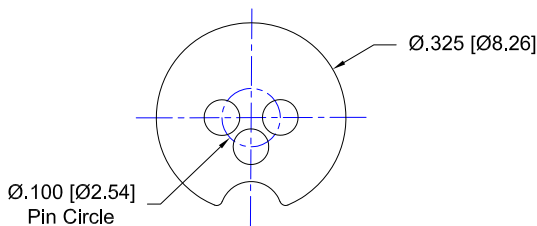
**FIG. 4**

**Thru-Hole: IS229-828-12-01-88S-R27-L14**  
**Surface Mount: IS229-828-12-01-93S-R27-L14**



**FIG. 5**

**Thru-Hole: R200-0403-06T-75S-R27-L14**  
**Surface Mount: R200-0403-06T-265S-R27-L14**

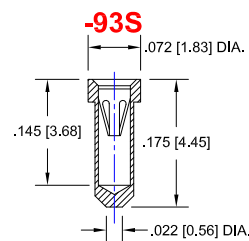
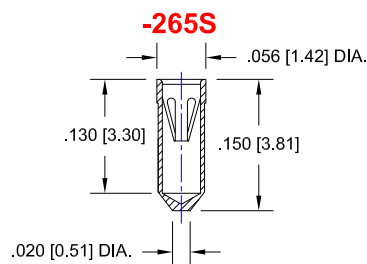
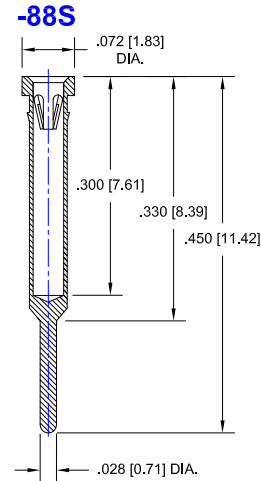
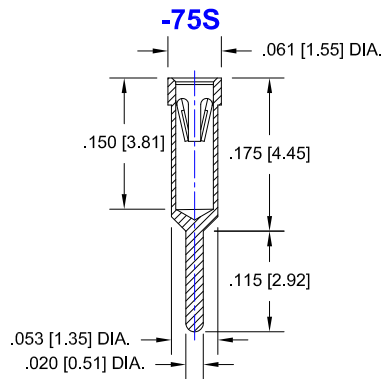


**FIG. 6**

**Thru-Hole: R100-0403-04N-75S-R27-L14**  
**Surface Mount: R100-0403-04N-265S-R27-L14**

## CHUNGHWA TELECOM LABORATORIES *Continued*

### Socket Terminal Details Cross Section View Shown Units: in [mm]



## Technical Information

### Material:

Insulator: Hi-Temp UL 94V-0  
Terminal: Brass, per ASTM-B16  
Contact: BeCu, Per ASTM-B194

### Plating: RoHS COMPLIANT

R15 TERMINAL: GOLD / CONTACT: GOLD

R17 TERMINAL: TIN / CONTACT: GOLD

OTHER PLATINGS AVAILABLE

### Terminal Acceptance and Forces

Thru Hole Terminals				Surface Mount Terminals			
Thru Hole Terminal	Accepts Pin Diameter	Insertion Force	Withdrawal Force	Surface Mount Terminal	Accepts Pin Diameter	Insertion Force	Withdrawal Force
-88S	Ø.018 [Ø0.46]	9.0 oz Avg.	2.0 oz Min	-93S	Ø.018 [Ø0.46]	9.0 oz Avg.	2.0 oz Min
-75S	Ø.018 [Ø0.46]	9.0 oz Avg.	2.0 oz Min	-265S	Ø.018 [Ø0.46]	9.0 oz Avg.	2.0 oz Min

### MOUNTING OPTIONS

