

Cambridge CMOS Sensors Ltd.						
Cambridge CMOS Sensor Ltd. Model Number	Andon Part Number Replace "XXX" with Terminal Type	Terminal Type		Pin Ø [in]	Figure Number	Page Number
		Thru-Hole	Surface Mount			
CCSIRx09x (TO39)	R200-0404-01T-XXX-R27-L14	01S	93S	.018	1	1
CCSIRx09x (TO46)	R100-0404-02T-XXX-R27-L14	75S	265S	.018	2	1
CCSIRx61x (TO39)	R200-0404-01T-XXX-R27-L14	01S	93S	.018	1	1
CCSIRx61x (TO46)	R100-0404-02T-XXX-R27-L14	75S	265S	.018	2	1
CCSIRx79x (TO39)	R200-0404-01T-XXX-R27-L14	01S	93S	.018	1	1
CCSIRx79x (TO46)	R100-0404-02T-XXX-R27-L14	75S	265S	.018	2	1
CCSIRx80x (TO39)	R200-0404-01T-XXX-R27-L14	01S	93S	.018	1	1
CCSIRx80x (TO46)	R100-0404-02T-XXX-R27-L14	75S	265S	.018	2	1
CCSMHx09x (TO39)	R200-0404-01T-XXX-R27-L14	01S	93S	.018	1	1
CCSMHx09x (TO46)	R100-0404-02T-XXX-R27-L14	75S	265S	.018	2	1
CCSMHx61x (TO39)	R200-0404-01T-XXX-R27-L14	01S	93S	.018	1	1
CCSMHx61x (TO46)	R100-0404-02T-XXX-R27-L14	75S	265S	.018	2	1
CCSMHx79x (TO39)	R200-0404-01T-XXX-R27-L14	01S	93S	.018	1	1
CCSMHx79x (TO46)	R100-0404-02T-XXX-R27-L14	75S	265S	.018	2	1
CCSMHx88x (TO39)	R200-0404-01T-XXX-R27-L14	01S	93S	.018	1	1
CCSMHx88x (TO46)	R100-0404-02T-XXX-R27-L14	75S	265S	.018	2	1

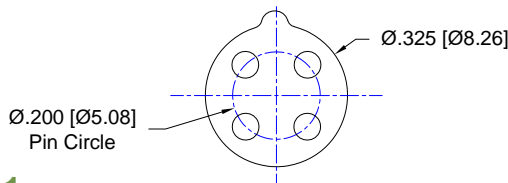


Fig. 1

Thru-Hole: R200-0404-01T-01S-R27-L14
Surface Mount: R200-0404-01T-93S-R27-L14

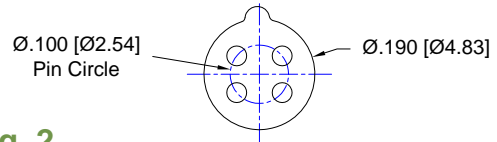
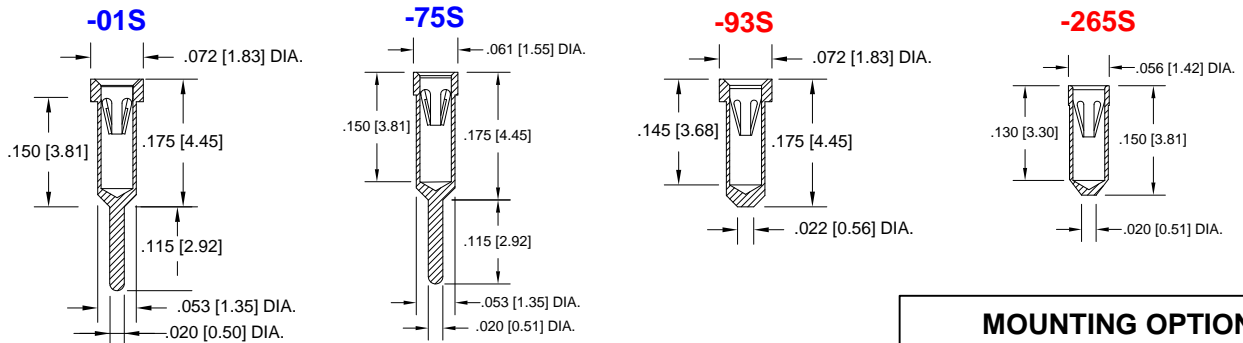


Fig. 2

Thru-Hole: R100-0404-02T-75S-R27-L14
Surface Mount: R100-0404-02T-265S-R27-L14

Socket Terminal Details

Cross Section View Shown Units: in [mm]



Technical Information

Material:

Insulator: Hi-Temp UL 94V-O
Terminal: Brass, per ASTM-B136
Contact: BeCu, Per ASTM-B194

Plating: RoHS COMPLIANT

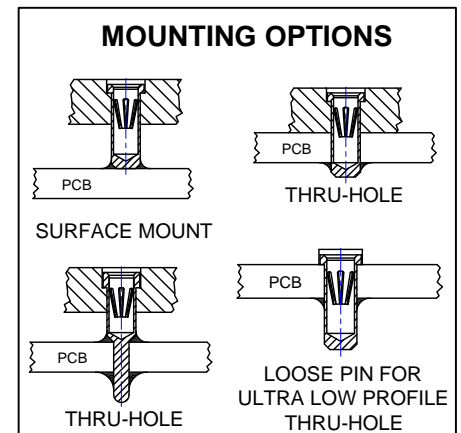
R27 TERMINAL: GOLD / CONTACT: GOLD

R17 TERMINAL: TIN / CONTACT: GOLD

OTHER PLATINGS AVAILABLE

Terminal Acceptance and Forces

Thru Hole Terminals				Surface Mount Terminals			
Thru Hole Terminal	Accepts Pin Diameter	Insertion Force	Withdrawal Force	Surface Mount Terminal	Accepts Pin Diameter	Insertion Force	Withdrawal Force
-01S	Ø.018 [Ø0.46]	9.0 oz Avg.	2.0 oz Min	-93S	Ø.018 [Ø0.46]	9.0 oz Avg.	2.0 oz Min
-75S	Ø.018 [Ø0.46]	9.0 oz Avg.	2.0 oz Min	-265S	Ø.018 [Ø0.46]	9.0 oz Avg.	2.0 oz Min



"ANDON PROPRIETARY INFORMATION"

RoHS Compliant

©Copyright 2013 Andon Electronics Corporation. All Rights Reserved. This material is protected under US and other copyrights and may not be copied, sold, or redistributed in any form without written permission of Andon Electronics Corporation. Copyrights and trademarks are property of their respective companies. We reserve the right to change specifications without notice. Andon makes no warranty, expressed or implied, as to the suitability of the sockets for the intended purpose.

*Sockets are not drawn to scale Cambridge CMOS Sensors Ltd. 10/17/2013