

AXTAL GMBH & CO. KG						
AXTAL GMBH & CO. KG Model Number	Andon Part Number Replace "XXX" with Terminal Type	Terminal Type		Pin Ø [in]	Figure Number	Page Number
		Thru-Hole	Surface Mount			
PACKAGE HC-49/S (IEC CU 01)	CSP192-03-01-XXX-R27-L14	01S	93S	.018	1	1
PACKAGE HC-52HSL	CSP148-02-02-XXX-R27-L14	01S	93S	.018	2	1
PACKAGE HC-52/U (IEC EB)	CSP148-02-02-XXX-R27-L14	01S	93S	.018	2	1
PACKAGE HC-50/U (IEC DQ)	CSP192-02-02-XXX-R27-L14	433E	285E	.040	3	1
AT-39	R043-02-02-01-XXX-R27-L14	400T4	414T4	.012	4	1
AT-310	R043-02-02-01-XXX-R27-L14	400T4	414T4	.012	4	1
PACKAGE CO 15-7	C10-614-07-01-XXX-R27-L14	01S	93S	.018	5	1
PACKAGE CO 15	C10-608-05-02-XXX-R27-L14	01S	93S	.018	6	1
IEC CO2	C10-314-04-01-XXX-R27-L14	01S	93S	.018	7	2
CO 08	C10-1014-05-02-XXX-R27-L14	295V	439V	.030	8	2
PACKAGE 51 X 41 MM	CSP1260-05-01-XXX-R27-L14	433E	285E	.040	9	2
PACKAGE CO 09	C10-816-05-01-XXX-R27-L14	295V	439V	.030	10	2
PACKAGE CO 05	R280-0808-02T-XXX-R27-L14	01S	93S	.018	11	2

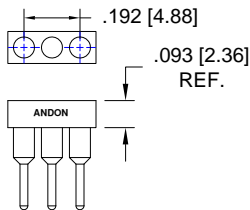


FIG.1

Thru-Hole: CSP192-03-01-01S-R27-L14
Surface Mount: CSP192-03-01-93S-R27-L14

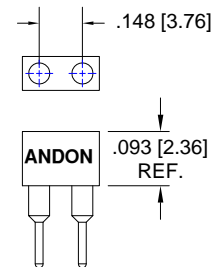


FIG.2

Thru-Hole: CSP148-02-02-01S-R27-L14
Surface Mount: CSP148-02-02-93S-R27-L14

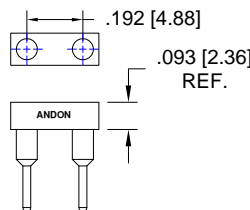


FIG.3

Thru-Hole: CSP192-02-02-433E-R27-L14
Surface Mount: CSP192-02-02-285E-R27-L14

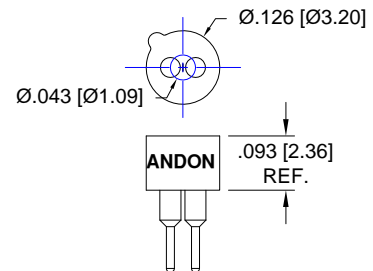


FIG.4

Thru-Hole: R043-02-02-01-400T4-R27-L14
Surface Mount: R043-02-02-01-414T4-R27-L14

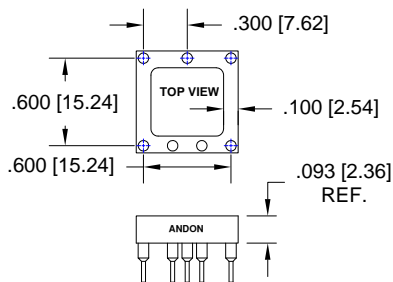


FIG.5

Thru-Hole: C10-614-07-01-01S-R27-L14
Surface Mount: C10-614-07-01-93S-R27-L14

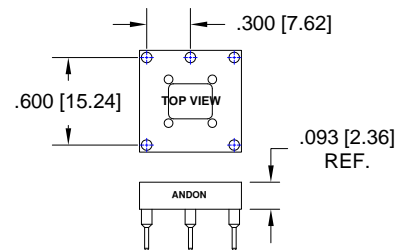


FIG.6

Thru-Hole: C10-608-05-02-01S-R27-L14
Surface Mount: C10-608-05-02-93S-R27-L14

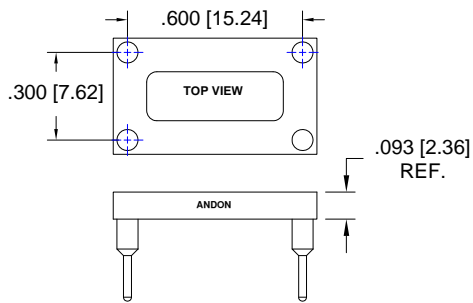


FIG. 7

Thru-Hole: C10-314-04-01-01S-R27-L14
Surface Mount: C10-314-04-01-93S-R27-L14

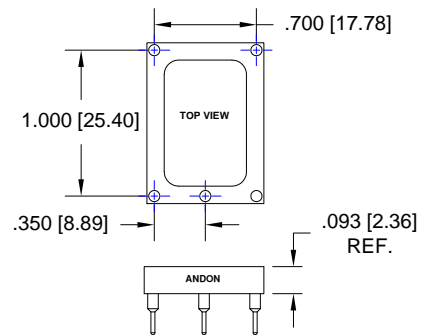


FIG. 8

Thru-Hole: C10-1014-05-02-295V-R27-L14
Surface Mount: C10-1014-05-02-439V-R27-L14

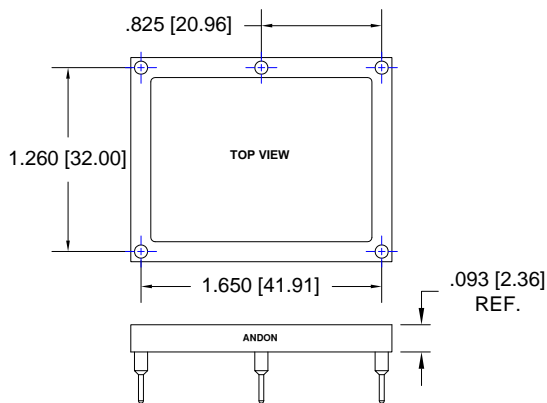


FIG. 9

Thru-Hole: CSP1260-05-01-433E-R27-L14
Surface Mount: CSP1260-05-01-285E-R27-L14

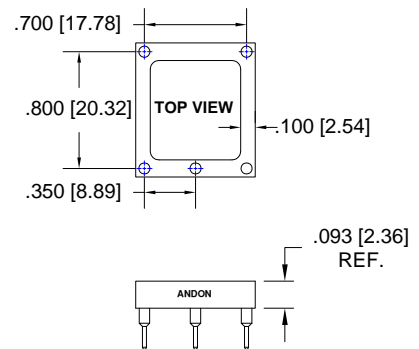


FIG. 10

Thru-Hole: C10-816-05-01-295V-R27-L14
Surface Mount: C10-816-05-01-439V-R27-L14

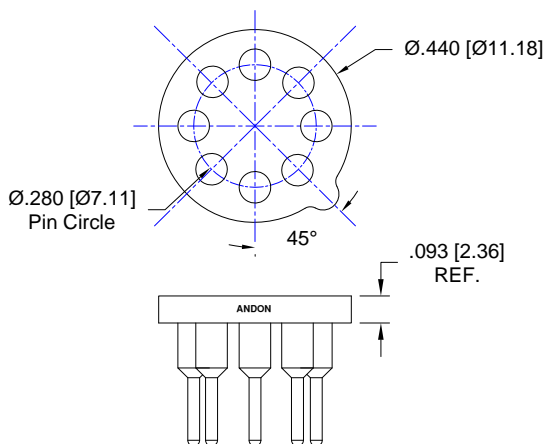
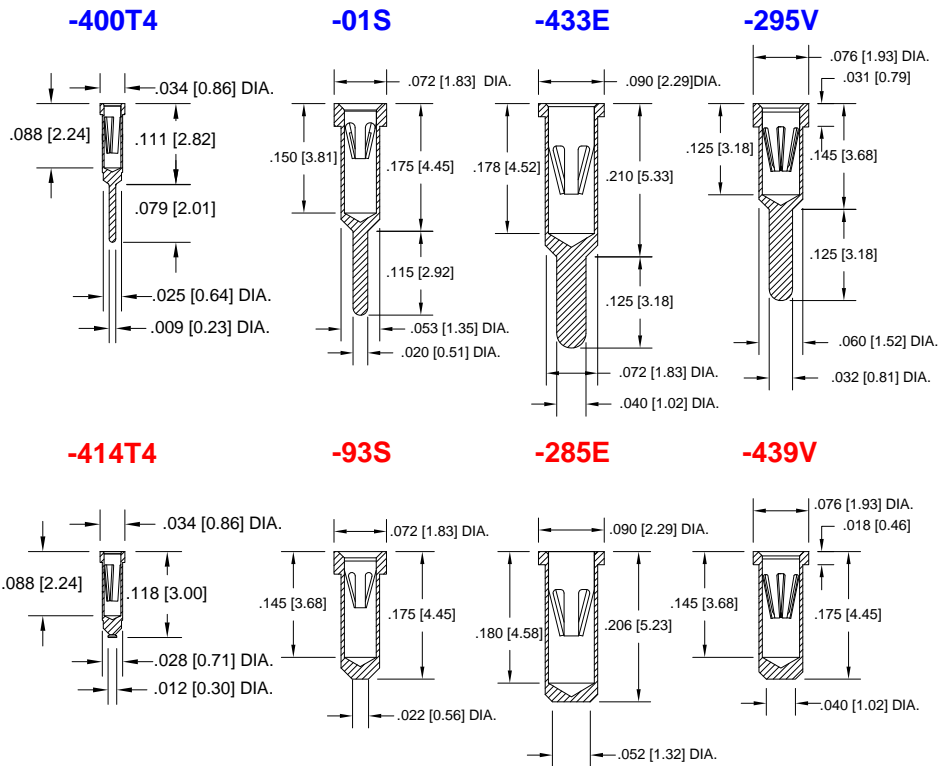


FIG. 11

Thru-Hole: R280-0808-02T-01S-R27-L14
Surface Mount: R280-0808-02T-93S-R27-L14



Technical Information

Material:

Insulator: Hi-Temp UL 94V-O
Terminal: Brass, per ASTM-B16
Contact: BeCu, Per ASTM-B194

Plating: RoHS COMPLIANT

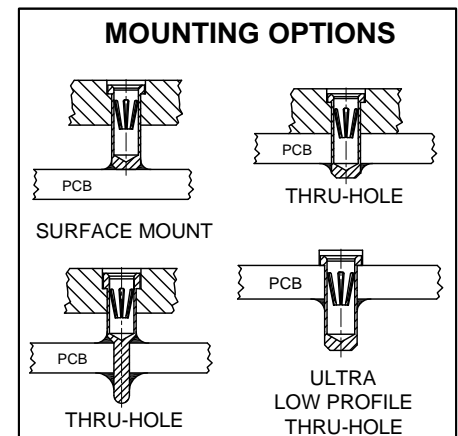
R15 TERMINAL: GOLD / CONTACT: GOLD

R17 TERMINAL: TIN / CONTACT: GOLD

OTHER PLATINGS AVAILABLE

Terminal Acceptance and Forces

Thru Hole Terminals				Surface Mount Terminals			
Thru Hole Terminal	Accepts Pin Diameter	Insertion Force	Withdrawal Force	Surface Mount Terminal	Accepts Pin Diameter	Insertion Force	Withdrawal Force
-400T4	Ø.012 [Ø0.30]	1.1 oz Avg.	0.3 oz Min	-414T4	Ø.012 [Ø0.30]	1.1 oz Avg.	0.3 oz Min
-01S	Ø.018 [Ø0.46]	9.0 oz Avg.	2.0 oz Min	-93S	Ø.018 [Ø0.46]	9.0 oz Avg.	2.0 oz Min
-433E	Ø.040 [Ø1.02]	36.0 oz Avg.	3.9 oz Min	-285E	Ø.040 [Ø1.02]	36.0 oz Avg.	3.9 oz Min
-295V	Ø.030 [Ø0.76]	13.2 oz Avg.	3.5 oz Min	-439V	Ø.030 [Ø0.76]	13.2 oz Avg.	3.5 oz Min



©Copyright 2014 Andon Electronics Corporation. All Rights Reserved. This material is protected under US and other copyrights and may not be copied, sold, or redistributed in any form without written permission of Andon Electronics Corporation. Copyrights and trademarks are property of their respective companies. We reserve the right to change specifications without notice. Andon makes no warranty, expressed or implied, as to the suitability of the sockets for the intended purpose.

"ANDON PROPRIETARY INFORMATION"
RoHS Compliant

*Sockets are not drawn to scale AXTEL GMBH & CO. KG 11/06/2014