

CARDINAL COMPONENTS, INC.						
CARDINAL COMPONENTS, INC. Model Number	Andon Part Number Replace "XXX" with Terminal Type	Terminal Type Thru-Hole	Surface Mount	Pin Ø [in]	Figure Number	Page Number
CC85	606D-04A-SM-G10-L14-1	-	-	-	2	1
CDO2	R200-0403-03T-XXX-R27-L14	01S	93S		1	1

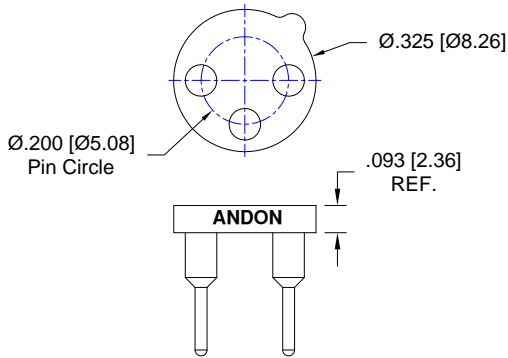


Fig. 01

Thru-Hole: R200-0403-03T-01S-R27-L14
Surface Mount: R200-0403-03T-93S-R27-L14

Socket Terminal Details

Cross Section View Shown Units: in [mm]

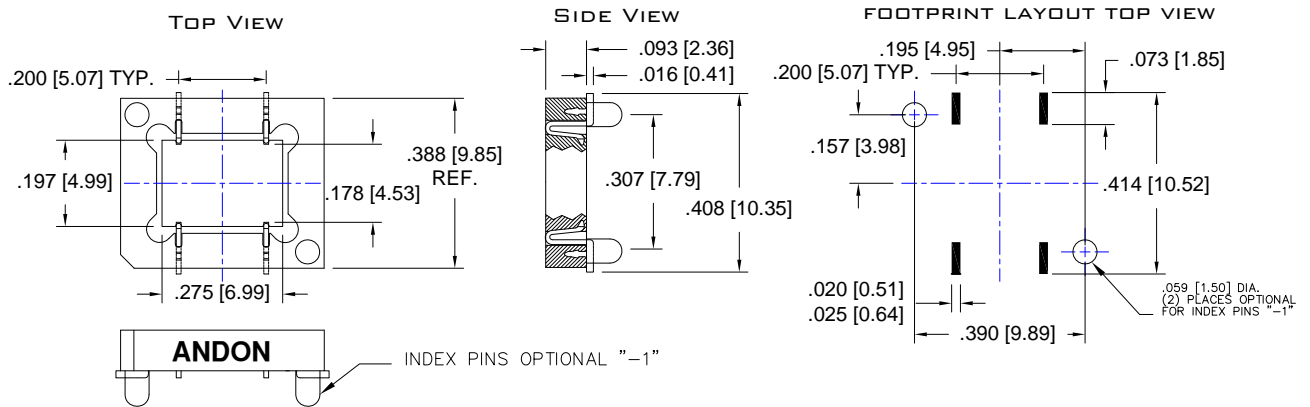
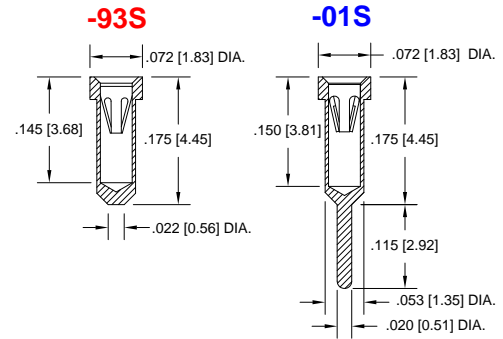


Fig. 02

Thru-Hole: N/A
Surface Mount: 606D-04A-SM-G10-L14-X

Replace "X" with "-1" for index pins or "-0" for none

Technical Information

Material:

Insulator: Hi-Temp UL 94V-O
Terminal: Brass, per ASTM-B16
Contact: BeCu, Per ASTM-B194

Plating: RoHS COMPLIANT

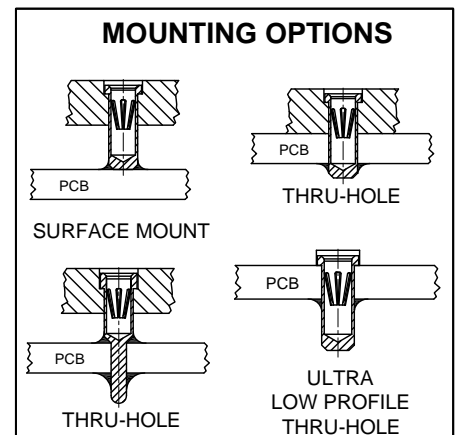
R15 TERMINAL: GOLD / CONTACT: GOLD

R17 TERMINAL: TIN / CONTACT: GOLD

OTHER PLATINGS AVAILABLE

Terminal Acceptance and Forces

Thru Hole Terminals				Surface Mount Terminals			
Thru Hole Terminal	Accepts Pin Diameter	Insertion Force	Withdrawal Force	Surface Mount Terminal	Accepts Pin Diameter	Insertion Force	Withdrawal Force
-01S	Ø.018 [Ø0.46]	9.0 oz Avg.	2.0 oz Min	-93S	Ø.018 [Ø0.46]	9.0 oz Avg.	2.0 oz Min



"ANDON PROPRIETARY INFORMATION"

RoHS Compliant

©Copyright 2015 Andon Electronics Corporation. All Rights Reserved. This material is protected under US and other copyrights and may not be copied, sold, or redistributed in any form without written permission of Andon Electronics Corporation. Copyrights and trademarks are property of their respective companies. We reserve the right to change specifications without notice. Andon makes no warranty, expressed or implied, as to the suitability of the sockets for the intended purpose.

*Sockets are not drawn to scale CARDINAL COMPONENTS, INC. 1/20/2015