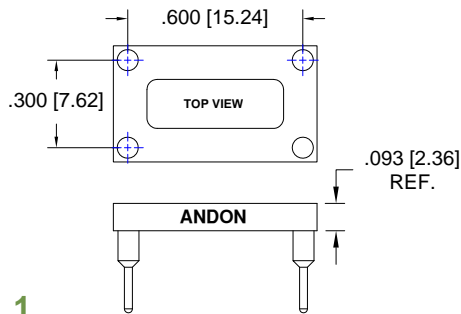


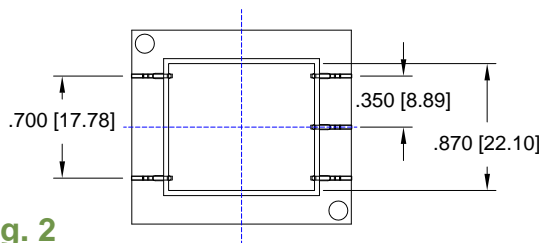
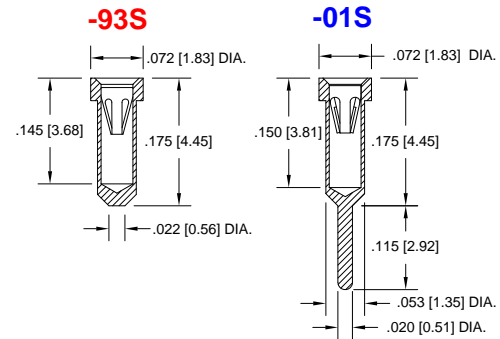
| MICROCRYSTAL              |   |               |               |            |               |             |
|---------------------------|---|---------------|---------------|------------|---------------|-------------|
| MICROCRYSTAL Model Number | Andon Part Number<br>Replace "XXX" with Terminal Type | Terminal Type |               | Pin Ø [in] | Figure Number | Page Number |
|                           |   | Thru-Hole     | Surface Mount |            |               |             |
| OCXOS-D1                  | 620-05SP-SM-G10-L14-X                                 | -             | -             | -          | 2             | 1           |
| OCXO                      | C10-314-04-01-XXX-R27-L14                             | 01S           | 93S           | .018       | 1             | 1           |
| OCXOS                     | C10-314-04-01-XXX-R27-L14                             | 01S           | 93S           | .018       | 1             | 1           |
| OCXOST                    | C10-314-04-01-XXX-R27-L14                             | 01S           | 93S           | .018       | 1             | 1           |
| OCXOVT-SAR                | C10-314-04-01-XXX-R27-L14                             | 01S           | 93S           | .018       | 1             | 1           |
| SCOCXOS                   | C10-314-04-01-XXX-R27-L14                             | 01S           | 93S           | .018       | 1             | 1           |
| SCOCXOL                   | C10-314-04-01-XXX-R27-L14                             | 01S           | 93S           | .018       | 1             | 1           |
| SCOCXOHS                  | C10-314-04-01-XXX-R27-L14                             | 01S           | 93S           | .018       | 1             | 1           |



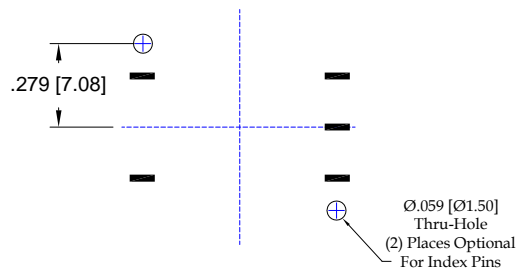
**Fig. 1**  
Thru-Hole: C10-314-04-01-01S-R27-L14  
Surface Mount: C10-314-04-01-93S-R27-L14

## Socket Terminal Details

Cross Section View Shown Units: in [mm]



**Fig. 2**  
Thru-Hole: N/A  
Surface Mount: 620-05SP-SM-G10-L14-X



WITHOUT INDEX PINS = -0  
WITH INDEX PINS = -1

## Technical Information

**Material:**

Insulator: Hi-Temp UL 94V-O  
Terminal: Brass, per ASTM-B16  
Contact: BeCu, Per ASTM-B194

**Plating: RoHS COMPLIANT**  
R15 TERMINAL: GOLD / CONTACT: GOLD  
R17 TERMINAL: TIN / CONTACT: GOLD  
OTHER PLATINGS AVAILABLE

| Terminal Acceptance and Forces |                      |                 |                  |                         |                      |                 |                  |
|--------------------------------|----------------------|-----------------|------------------|-------------------------|----------------------|-----------------|------------------|
| Thru Hole Terminals            |                      |                 |                  | Surface Mount Terminals |                      |                 |                  |
| Thru Hole Terminal             | Accepts Pin Diameter | Insertion Force | Withdrawal Force | Surface Mount Terminal  | Accepts Pin Diameter | Insertion Force | Withdrawal Force |
| -01S                           | Ø.018 [Ø0.46]        | 9.0 oz Avg.     | 2.0 oz Min       | -93S                    | Ø.018 [Ø0.46]        | 9.0 oz Avg.     | 2.0 oz Min       |

